

FRS200

Frame Synchroniser

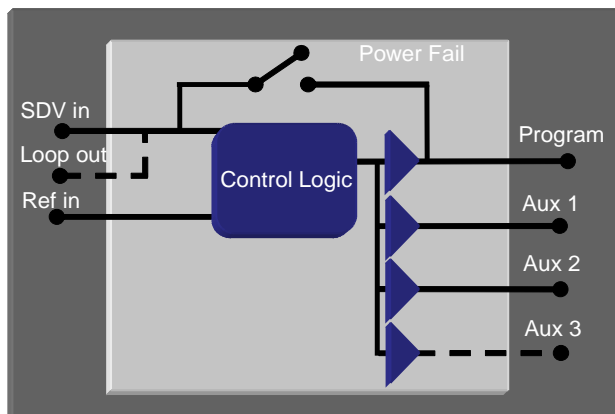
INSERTERS

SWITCHES

CONVERSION

KEYERS

MIXERS



Synchronises SDV to analogue ref

Pass or blank ancillary data

Freeze/black out on input loss

Power-fail bypass

The FS200 Frame Synchroniser is a single eurocard size module that fits in the Series 200 1U or 3U rack mounting Frames. It is designed to synchronise a Serial Digital Video signal to an analogue timing reference. The input video may be completely non-synchronous or may simply need a timing adjustment.

Inputs: 1 x SDV, Serial Digital Video (270Mb/s) to EBU Tech. 3267-E (SMPTE259M)
1 x Analogue Video (Reference)
Analogue into 75R on BNC. Can be syncs only or Composite with syncs.
Can be internally terminated or passive loop through

Outputs: Up to 4 SDV (Power bypass relay connects SDV in to main 'PGM' out)
Loop out/Aux 3 use the same BNC (function is link selectable)
Serial Digital Video (270Mb/s) to EBU Tech. 3267-E (SMPTE259M)

User Controls: H adjustment up to full line width (64uS) V adjustment of +/-7 lines
Freeze or go to Black screen on loss of input Disable Freeze/Black autoswitching
PAL(625) / NTSC (525) operation Auto PAL detect on/off
Pass / Blank VBI data Pass / Blank ancillary data

User Controls: The following control signals may be wired to the common D type on the frame
Loss of input video alarm signal, Delay tracking pulse output, Freeze control input

Physical: Eurocard size module for mounting in our 1U or 3U frames.

Power usage: 10W

Frames: Up to 6 modules will fit in a Microvideo 1U frame and 14 in a 3U frame.

Ordering: FRS200 Frame synchroniser for SDV
FR1U-20 1U rack mounting frame for series 200 cards (dual PSU)
FR3U-10 3U rack mounting frame for series 200 cards (single PSU)
FR3U-20 3U rack mounting frame for series 200 cards (dual PSU)
-CB Control Bus wiring for 3U frame

MicroVideo

Copley Hill Farm
Babraham
Cambridge
England, CB22 3GN
t: +44 (0) 1223 834119
f: +44 (0) 1223 834471
w: www.microvideo.co.uk