

PRC200

Serial Digital Proc Amp

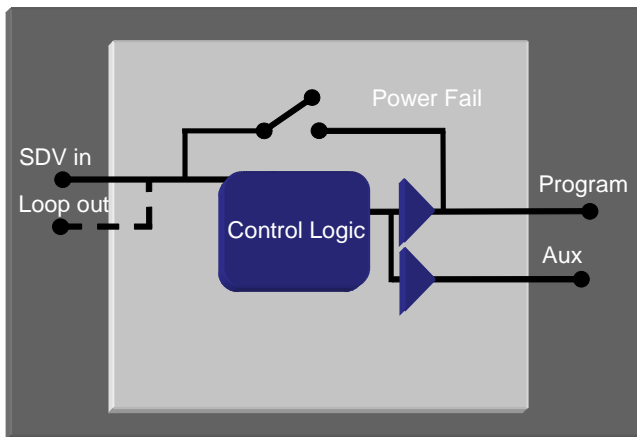
INSERTERS

SWITCHES

CONVERSION

KEYERS

MIXERS



Full control of video levels

Variable clip levels

Card edge or remote control

Power fail bypass

Serial Digital Video



The PRC200 digital proc amp provides an inexpensive means of controlling levels in a digital video environment. Its compact size allows up to six cards in a 1U frame or up to 15 in a 3U. This makes it ideal for multi-channel systems. It offers adjustment of YUV gain, black level, UV pedestals and overall video level. Common parameters can be set at the front of the card and all parameters using a remote control panel. The card is part of the Series 200 range and so can be combined with the AMX200 audio module to give adjustment of audio and video levels from a single box.

MicroVideo

Copley Hill Farm
Babraham
Cambridge
England, CB22 3GN
t: +44 (0) 1223 834119
f: +44 (0) 1223 834471
w: www.microvideo.co.uk

PRC200

Technical Information

INSERTERS

SWITCHES

CONVERSION

KEYERS

MIXERS

- Inputs:** Serial Digital Video (270Mb/s) to EBU Tech. 3267-E, (SMPTE 259M).
- Outputs:** Serial Digital Video (270Mb/s) to EBU Tech. 3267-E, (SMPTE 259M).
- Control:** The card features a rotary encoder and a four digit display to allow the parameters to be set from the front of the board.
Dip switch allows setting of: Electronic Bypass
Split Screen Display
Relay Bypass Activation
- The following parameters can be adjusted:
- | | |
|----------------|------------|
| Video Gain | Luma Gain |
| Chroma Gain | Y Gain |
| Cb Gain | Cr Gain |
| Black Level | U pedestal |
| V pedestal | Clip High |
| Clip Low | Hue Shift |
| VBI Line Blank | Y/C delay |
- Eight different setups can be stored on the card and recalled by the user.
- Specification:** The internal multiplier works to 12 bit resolution, rounding to 10 bits on output.
Processing delay < 5us
- Physical:** Eurocard size module for mounting in our 1U or 3U frames.
- Power usage:** 6W.
- Frames:** Up to 6 modules will fit in a Microvideo 1U frame and 15 in a 3U frame.
They may be mixed with other Microvideo Series 200 boards in the same frame.
- Ordering:**
- | | |
|---------|--|
| PRC200 | Digital proc amp module |
| -CPU | CPU card (required for remote/front panel control) |
| -FP | Active front panel control (1U only, requires -CPU) |
| FR1U-20 | 1U rack mounting frame for series 200 cards (dual PSU) |
| FR3U-10 | 3U rack mounting frame for series 200 cards (single PSU) |
| FR3U-20 | 3U rack mounting frame for series 200 cards (dual PSU) |

MicroVideo

Copley Hill Farm
Babraham
Cambridge
England, CB22 3GN
t: +44 (0) 1223 834119
f: +44 (0) 1223 834471
w: www.microvideo.co.uk