

INSERTERS

SWITCHES

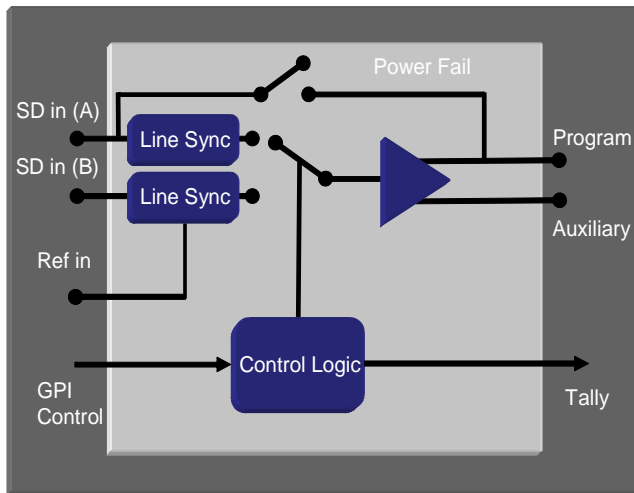
CONVERSION

KEYERS

MIXERS

ESW201-S

SDI 2x1 Synchronising Emergency Switch



Seamless LIVE emergency switching

Clean switching of mis-timed inputs

GPI operator override

Power-fail bypass

2x1 emergency switching for SDV

The ESW201-S is designed for live applications giving automatic emergency switching capability in the event of signal loss.

By synchronising the timing of the two inputs with a reference, the ESW201-S will switch seamlessly between inputs with no disruption to transmitted picture.



In the event of the loss of the main input signal or of valid sync pulses, the ESW201-S switches automatically during the vertical interval (on line 6 in 625).

The automatic switching feature can be overridden by the operator through external connection to the GPI. A tally output indicates when the switch has occurred. The program path is maintained, even in the event of a power failure, through the inbuilt bypass relay.

MicroVideo

Copley Hill Farm
Babraham
Cambridge
England, CB22 3GN
t: +44 (0) 1223 834119
f: +44 (0) 1223 834471
w: www.microvideo.co.uk

ESW201-S

Technical Information

INSERTERS

SWITCHES

CONVERSION

KEYERS

MIXERS

- Inputs:** 2 x Serial Digital Video (270Mb/s) to SMPTE 259M (EBU Tech 3267-E).
1 x Analogue video (PAL/NTSC), 1V into 75R (optional internal termination)
- Output:** 2 x SDV (270Mb/s) on Program and Auxiliary output.
In the event of power failure to the unit a passive bypass relay connects input A to the main program output. This can also be activated by a switch on the front of the card.
- Control:** In "Manual" switch mode a closing contact to ground on the GPI input causes a switch to input B.
In "Auto" switch mode the card will switch to input B when the video on input A becomes invalid. In Auto mode switching can still be activated by the external GPI input.
A tally output is provided which indicates switch status.
On the 1U frame GPIs and tallies are wired to a 15 way high density 'D' connector and are included with the frame. On the 3U frame the -CB option is required to provide the wiring of all card to two 25 way 'D' connectors.
- Physical:** Eurocard size module for mounting in our 1U or 3U frames.
- Power usage:** 5W.
- Frames:** Up to 6 modules will fit in a Microvideo 1U frame and 14 in a 3U frame. They may be mixed with other Microvideo Series 200 boards in the same frame.
- Ordering:**
- | | |
|----------|--|
| ESW201-S | 2x1 serial digital video emergency switch module. |
| FR1U-20 | 1U rack mounting frame for series 200 cards (dual PSU) |
| FR3U-10 | 3U rack mounting frame for series 200 cards (single PSU) |
| FR3U-20 | 3U rack mounting frame for series 200 cards (dual PSU) |
| -CB | Control Bus wiring for 3U frame. |
- Related products:** ESW201, ESW201-B, HDS201, HDS201-S, RSW204, ASW201

MicroVideo

Copley Hill Farm
Babraham
Cambridge
England, CB22 3GN
t: +44 (0) 1223 834119
f: +44 (0) 1223 834471
w: www.microvideo.co.uk