

ESW-ASI

SDI or ASI-DVB 2x1 Emergency Switch

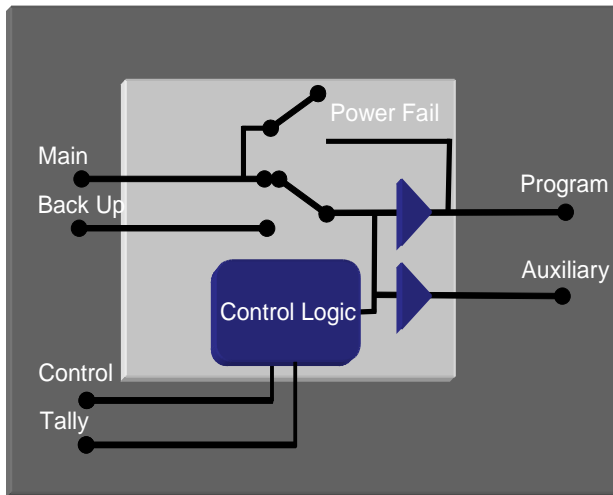
INSERTERS

SWITCHES

CONVERSION

KEYERS

MIXERS



Cost effective emergency switching

Automatic switching on signal loss

GPI switch control

Power-fail bypass

SDV or ASI-DVB compatible

The ESW-ASI is designed for applications requiring automatic emergency switching capability in the event of signal loss. The main program input is monitored and on loss of sync data, the output is switched to the secondary input.



Switching is carried out in the serial domain to ensure ASI data is not corrupted.

The automatic switching feature can be overridden by the operator through external connection to the GPI, a simple switch is also provided on the front of the card to give users a quick method of switching between inputs. A tally output indicates when the switch has occurred.

The program path is maintained, even in the event of a power failure, through the inbuilt bypass relay.

MicroVideo

Copley Hill Farm
Babraham
Cambridge
England, CB22 3GN
t: +44 (0) 1223 834119
f: +44 (0) 1223 834471
w: www.microvideo.co.uk

ESW-ASI

Technical Information

INSERTERS

SWITCHES

CONVERSION

KEYERS

MIXERS

- Inputs:** 2 x Serial Digital Video (270Mb/s) to SMPTE 259M (EBU Tech 3267-E) or ASI-DVB (270Mb/s), referred to as input A (main) and B (secondary).
- Outputs:** 270Mb/s re-clocked data on Program and Auxiliary output.
In the event of power failure to the unit a passive bypass relay connects input A to the main program output. This can also be activated by a switch on the front of the card.
- Control:** In "MANUAL" switch mode a closing contact to ground on the GPI input causes a switch to input B.
In "AUTO" switch mode the card will switch to input B when the video on input A becomes invalid (loss or mis-aligned sync words for 2 fields). In Auto mode switching can still be activated by the external GPI input.
A tally output is provided which indicates switch status.
On the 1U frame GPIs and tallies are wired to a 15 way high density 'D' connector and are included with the frame. On the 3U frame the -CB option is required to provide the wiring of all card to two 25 way 'D' connectors.
- Physical:** Eurocard size module for mounting in our 1U or 3U frames.
- Power usage:** 5W.
- Frames:** Up to 6 modules will fit in a Microvideo 1U frame and 14 in a 3U frame. They may be mixed with other Microvideo Series 200 boards in the same frame.
- Ordering:**
- | | |
|---------|--|
| ESW-ASI | 2x1 serial digital video emergency switch module. |
| FR1U-20 | 1U rack mounting frame for series 200 cards (dual PSU) |
| FR3U-10 | 3U rack mounting frame for series 200 cards (single PSU) |
| FR3U-20 | 3U rack mounting frame for series 200 cards (dual PSU) |
| -CB | Control Bus wiring for 3U frame. |
- Related products:** ESW201-B, ESW201-S, RSW204, ASW201

MicroVideo

Copley Hill Farm
Babraham
Cambridge
England, CB22 3GN
t: +44 (0) 1223 834119
f: +44 (0) 1223 834471
w: www.microvideo.co.uk