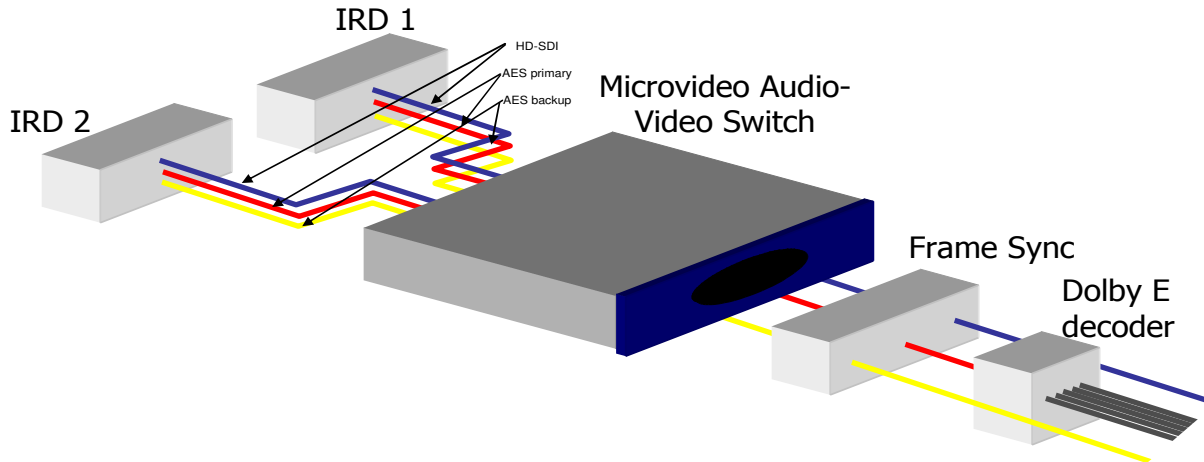


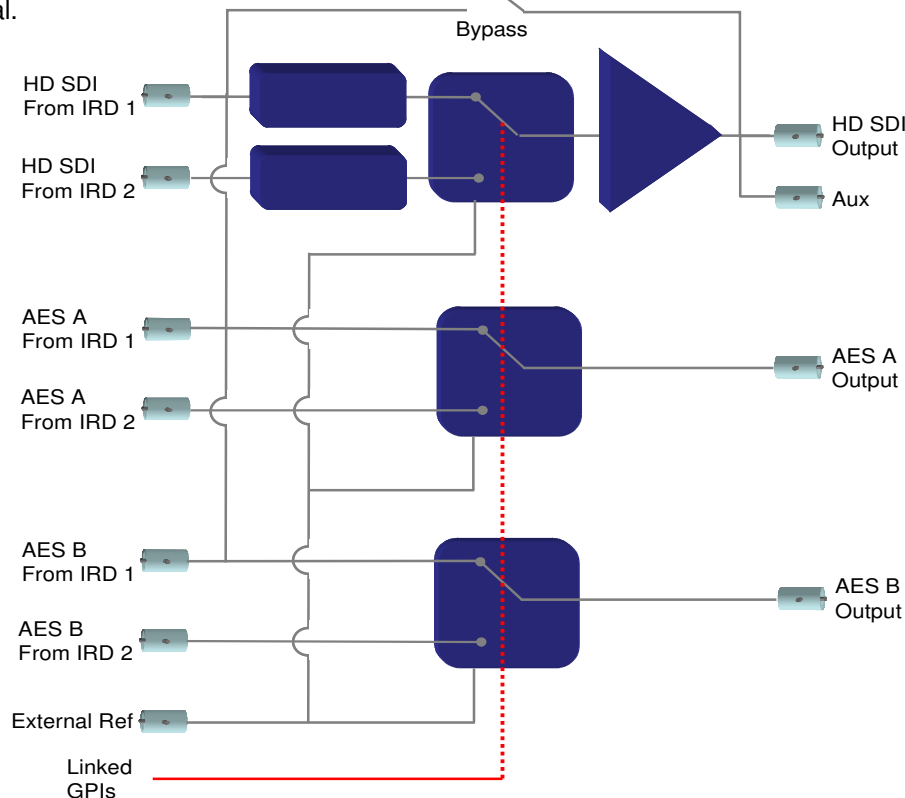
Product Description

Seamless HD-SDI + 2 x AES audio switch

The following notes describe an existing solution to switching between two IRD's with HD-SDI and 2 x AES audio outputs:



The unit comprises 3 Microvideo switches: 1 x HDS 201s seamless HD-SDI switch and 2 x ASW 201 AES audio clean switches. All three switches are linked via internal GPI's which allows simultaneous switching of all three inputs from IRD 1 to IRD 2 should any one of the primary inputs on IRD fail, thus providing emergency backup to IRD 1 without disruption to the signal.



Inputs :

Program	A and B (primary and back up)
AES A	Spanish channel - Primary and backup
AES B	English channel - Primary and back up

Outputs

Program	Single output
Aux	Single output
AES A	Single output
AES B	Single output

Equalisation

At least 200m Belden 1694A

GPI

Switch to primary

Switch to backup

Power Fail

Full power fail bypass on primary input

Rear panel layout

