

HDS201-S

HD 2x1 Synchronising Emergency Switch

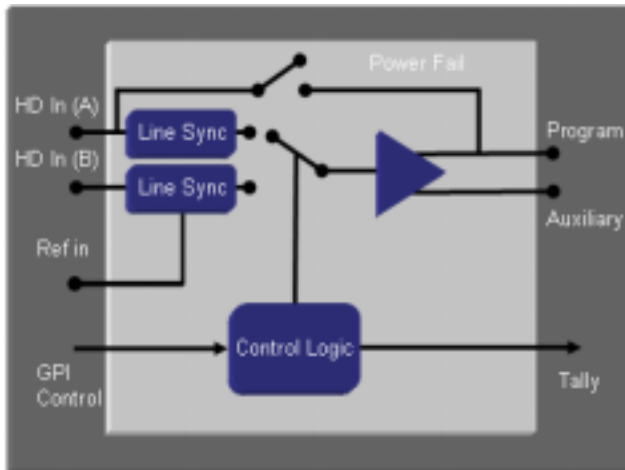
INSERTERS

SWITCHES

CONVERSION

KEYERS

MIXERS



Seamless LIVE emergency switching

Clean switching of mis-timed inputs

GPI operator override

Power-fail bypass

2x1 switching for HD and SDV

The HDS201-S is designed for live applications giving automatic emergency switching capability in the event of signal loss. By synchronising the timing of the two inputs with a reference, the HDS201-S will switch seamlessly between a pair of either SD or HD inputs with no disruption to transmitted picture.



In the event of the loss of the main input signal or of valid sync pulses, the HDS201-S switches automatically.

The automatic switching feature can be overridden by the operator through external connection to the GPI. A tally output indicates when the switch has occurred. The program path is maintained, even in the event of a power failure, through the inbuilt bypass relay.

MicroVideo

Copley Hill Farm
Babraham
Cambridge
England, CB2 4AF
t: +44 (0) 1223 834119
f: +44 (0) 1223 834471
w: www.microvideo.co.uk

HDS201-S

Technical Information

INSERTERS

SWITCHES

CONVERSION

KEYERS

MIXERS

- Inputs:** 2 x High Definition Video to SMPTE 292M (A and B)
- Outputs:** 2 x High Definition out (Program and Aux)
In the event of power failure to the unit a passive bypass relay connects input A to the main program output. This can also be activated by a switch on the front of the card.
- Control:** In "Manual" switch mode a closing contact to ground on the GPI input causes a switch to input B.
In "Auto" switch mode the card will switch to input B when the video on input A becomes invalid (loss or mis-aligned sync words for 8 fields). In Auto mode switching can still be activated by the external GPI input.
A tally output is provided which indicates switch status.
On the 1U frame GPIs and tallies are wired to a 15 way high density 'D' connector and are included with the frame. On the 3U frame the -CB option is required to provide the wiring of all card to two 25 way 'D' connectors.
- Physical:** Eurocard size module for mounting in our 1U or 3U frames.
- Power usage:** 5W.
- Frames:** Up to 6 modules will fit in a Microvideo 1U frame and 14 in a 3U frame. They may be mixed with other Microvideo Series 200 boards in the same frame.
- Ordering:** HDS201-S 2x1 serial digital video emergency switch module.
EU-FRM1U 1U rack mounting frame for series 200 cards.
FL-FRM3U 3U rack mounting frame for series 200 cards.
-RP Redundant power supply (for both 1U and 3U frame, this option reduces card capacity).
-CB Control Bus wiring for 3U frame.
- Related products:** HDS201, HDS202, ESW201, ESW201-B, ESW201-S, RSW201, ASW201

MicroVideo

Copley Hill Farm
Babraham
Cambridge
England, CB2 4AF
t: +44 (0) 1223 834119
f: +44 (0) 1223 834471
w: www.microvideo.co.uk